

# Instructions

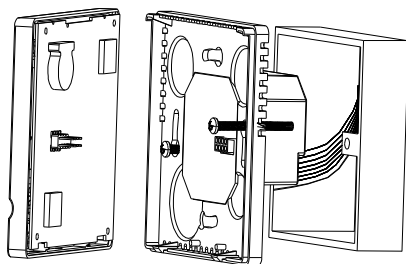
- ☞ Override / Timing On/Off / 5+2 Day Programmable
- ☞ Blue Backlight (Optional)
- ☞ Infrared Remote Control (Optional)
- ☞ Remote Sensor (Optional)



## SPECIFICATIONS

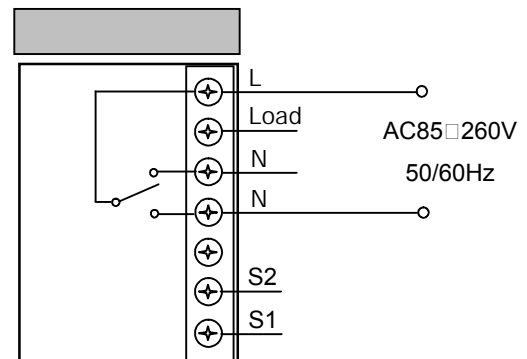
- ☞ Sensing element : NTC
- ☞ Display: LCD
- ☞ Power consumption: <2W
- ☞ Set-point range: Room: 5 ° to 35 °  
Equipment: 5 ° to 90 ° (-S1)  
Floor: 20 ° to 90 ° (-S2)
- ☞ Accuracy:  $\pm 1$  °
- ☞ Button: Touch pad
- ☞ Switch current rating: < 16 A (resistive load)  
< 6 A (inductive load)
- ☞ Power supply: AC85-260V, 50/60 Hz
- ☞ Dimensions: 86 × 86 × 13 mm (W × H × D)
- ☞ Fixing screw width: 60mm
- ☞ Housing: ABS + PC Flame Retardant
- ☞ Operating rating: 0-40 °, 5-95%RH (non-condensing)
- ☞ Control performance: On/Off control, 2 ° differential

## MOUNTING



Screw terminals: 1 x 4 mm<sup>2</sup>

## WIRING DIAGRAMS



## POWER ON/OFF

☞ To turn thermostat on or off press “⏻”

## FROST MODE (THERMOSTAT OFF)

To enable this operation.

☞ With thermostat turned off.

Press “M” for 3 seconds.

Select 01 (00 = disabled)

When enabled and thermostat has been turned off, the icon “❄️” will be showed and the heating will be activated if the room temperature is lower than 5°C; the heating will be stopped if the room temperature is higher than 7°C.

## TEMPERATURE CALIBRATING

☞ With thermostat turned off, Press “▲” and “▼” for 3 seconds. The display will show the measured temperature.

☞ Press “▲” or “▼” to adjust the temperature to the correct value.

☞ Press “⏻” to turn off. The calibration setting will be stored.

## NORMAL OPERATING MODE

**RT** = When thermostat is in the operating mode; RT is displayed and indicates the Room Temperature.

**SET** = Pressing the Up or Down key once will display SET and the current set-point temperature. You are able to increase/decrease the set-point temperature using the Up/Down key. This temperature change is only temporary and will be maintained only until the next programmed setting.

## OVERRIDE / TIMING ON/OFF / 5+2 DAYS 4 PERIOD PROGRAMMABLE SELECT

With the thermostat turned on, press “M” button for 3 seconds. You can select below settings:

01 = Override.

02 = timing on/off. And the display will show “⌚”.

03 = programmable. And the display will show “🔥”.

## SETTING THE CLOCK

☞ Press “⌚” once, hour will be flash.

☞ Use the Up/Down key to select the hours.

☞ Press “⌚” again, minute will be flash.

☞ Use the Up/Down key to select the minutes.

☞ Press “⌚” button, till to week flash.

☞ Use the Up/Down key to select the day of the week.

## SETTING THE TIMING ON/OFF

When select Timing On/Off function and the display show “⌚”, you could set “TIMER ON” / “TIMER OFF”.

☞ Press “⌚” till to display “TIMER ON” and “hh” all flash, press “▲” or “▼” to adjust hour, press “⌚”, “mm” flash, press “▲” or “▼” to adjust minute; Press “⌚” till to display “TIMER OFF” and “hh” all flash, press “▲” or “▼” to adjust hour, press “⌚”, “mm” flash, press “▲” or “▼” to adjust minute.

The settings will be finished after the TIME OFF. I.e. the settings validity is a day.

**To disable the function, you have 2 ways:**

1>Select to “Override” or “Programmable” mode.

2>Set the TIME ON/OFF to “00:00”.

## SETTING THE HEATING PROGRAM

When select Programmable function and the display show “🔥”. You could set the heating program.

☞ Press “⌚” for 3 seconds, the number 1 and “Mo Tu We Th Fr” are displayed.

This indicates that you are able to program switching time 1 for the week-day.

☞ Use Up/Down key to set the required start time.

☞ Press “⌚” to accept this setting.

☞ Use the Up/Down key to set the required temp.

☞ Press “⌚” to accept this setting.

☞ Repeat for switching times 2-4 week-day.

☞ After you have programmed times 1-4 for the weekday, you are now able to set the switching times for weekend “Sa Su” will be displayed.

☞ Use Up/Down key to set the required start time.

☞ Press “⌚” to accept this setting.

☞ Use the Up/Down key to set the required temp.

☞ Repeat for switching times 2-4 for the week-end.

**To disable the function:** Select to “Override” or “Programmable” mode.