

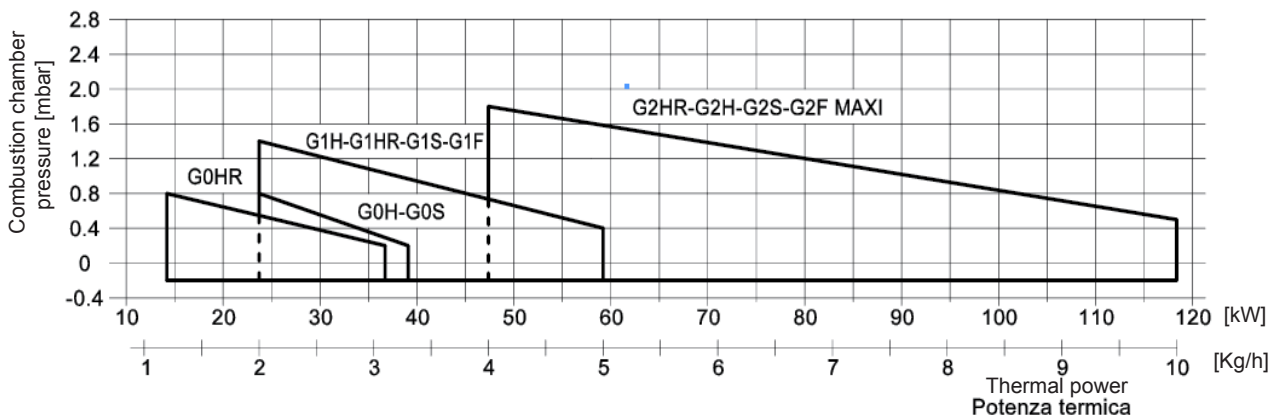


Burners for diesel, single stage, aluminium frame, protection cover with noise reduction plate, combustion head with micro adjustment at high efficiency and high flame stability. Compact overall dimensions and disposition rationalized of the components with accessibility facilitated for the operations of setting and maintenance. In the versions H hydraulic device of closing air shutter. In the versions R preheater with control of temperature for soft and secure ignitions also at low temperatures. Complete of connector 7 poles, flange and gasket for installation on boiler, nozzle, flexible pipes, line filter.

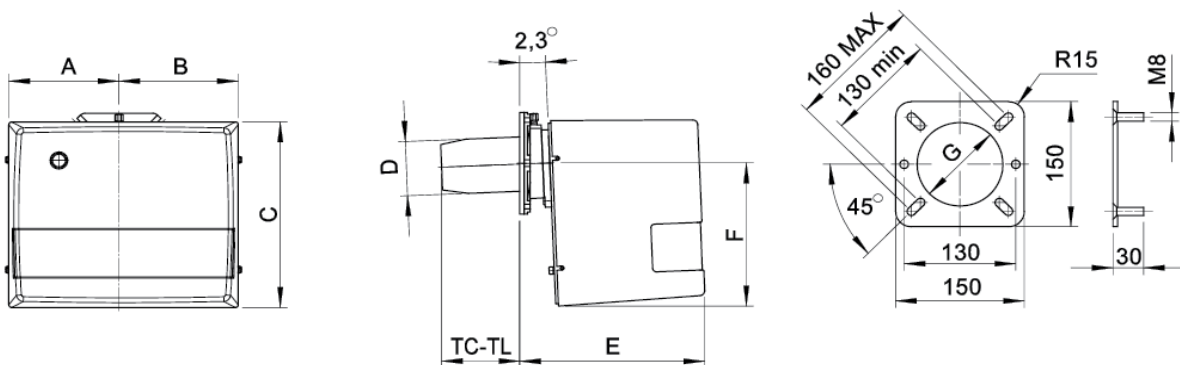
### TECHNICAL DATA

MODEL		G 0SR G 0HR	G 0S G 0H	G 1HR	G 1S G 1H	G 2S MAXI G 2H MAXI
Delivery	kg/h	1.2-3.1	2.0-3.3	2.0-5.0	2.0-5.0	4-9.8
Thermal power (min-Max)	Mcal/h	12.2-31.6	20.4-33.7	20.4-51	20.4-51	40.8-99.9
Thermal power (min-Max)	kW	14.2-36.7	23.7-39.1	23.7-59.2	23.7-59.2	47.3-116
Nominal electric power	W	190	120	220	130	140
Fan motor power	W	90	90	100	100	100
Pre-heater	W	30-110	-	30-110	-	-
Electrical supply	single phase 230V (-15% +10%) - 50Hz					
Fuel	LIGHT OIL 1.5°E a 20°C = 6.2 Cst = 35 sec Redwood N°1					
Burner weight	kg	9	9	10	10	10

### FIRING RATES: Thermal power - Pressure in combustion chamber



### DIMENSIONS (mm)



MODEL	A	B	C	ØD	E	F	G	TC	TL
G 0... 2001	137	137	240	80	223	169	90	112	152
G 1... 2001	157	170	275	80	265	210	90	112	152
G 2... MAXI	157	170	275	90	265	210	100	112	152

Le illustrazioni e i dati riportati sono indicativi. F.B.R. Bruciatori S.r.l. si riserva il diritto di apportare, senza obbligo di preavviso, tutte le modifiche opportune, per l'evoluzione dei propri prodotti. The illustrations and data here shown are indicative. F.B.R. Bruciatori S.r.l. reserves the right to bring, without any obligation of warning, any changes that would be appropriate to the continuing development of their products.