

twist@r

ELECTRIC INSTANTANEOUS WATER HEATER

- EPS - 3,5
- EPS - 4,4
- EPS - 5,5R

Please, read and follow the installation and operating instructions carefully, to ensure the long life and reliable operation of this appliance.

The manufacturer may make minor changes in the appliance if necessary. They will not be exposed in the operating instruction, so long as the main features of the heater remain the same.



This product must not be treated as a communal waste. Dismantled appliance ought to be given to an appropriate recycling point for electrical and electronic waste. Appropriate disposal of the used product prevents potential negative influence on the environment, which could occur in case of an improper waste disposal.

In order to obtain more detailed information on the recycling of the product, contact your local authority, refuse disposal services or the store, where the product has been purchased.

Purpose

EPS electric instantaneous water heater is designed to heat domestic water in households, sanitary rooms, labs, plants etc., in other words, everywhere where there is a demand for instant hot water. Turning the hot water tap on, automatically starts up the heater (a red light on the heater's outer case comes on). Water is heated instantly as a result. The temperature of heated water depends on the rate of flow: the greater the flow, the lower the temperature. Turning the hot water off, shuts the appliance.

Working and safety conditions

- **the appliance should be installed and the reliability of electric shock protection should be tested by a professional person,**
- **the appliance has to be earthed or neutrally grounded,**
- **the appliance has to be permanently connected to the electrical system,**
- the appliance can be used only after proper installation (and make sure that it is in a faultless technical condition!)
- the appliance should be vented (see "Venting") before the first use and each time after emptying the heater out of water (e.g. during conservation of a water supply system),
- be alert not to let the working appliance be emptied of water, which may happen with the shortage of water in a water supply system,
- do not open the front case of the water heater while it is in on,
- do not either install any additional appliance to the tap pipe or plug it while water is flowing,
- remember that water at 40°C temp. may bring forth the feeling of burning (especially in case of children).

ATTENTION!

If the inseparable supply cord will become damage, it should be replaced at the manufacturer or in special repair shop or by a qualified person in order to avoid all risks.

Installation

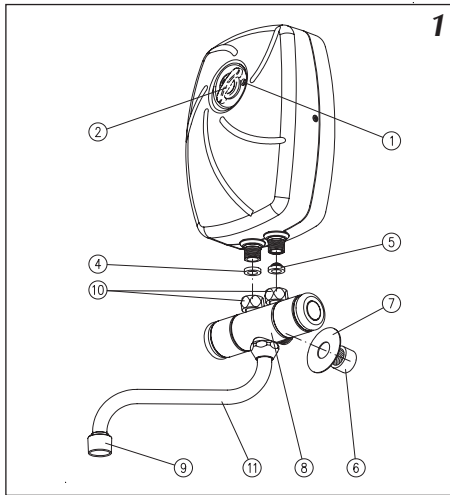


Fig.1 View

- [1] - work indicator
- [2] - power changing knob (EPS-5,5R)
- [4] - gaskets
- [5] - filter
- [6] - water supply
- [7] - rosette
- [8] - tap body
- [9] - spray-head
- [10] - nuts
- [11] - tap pipe

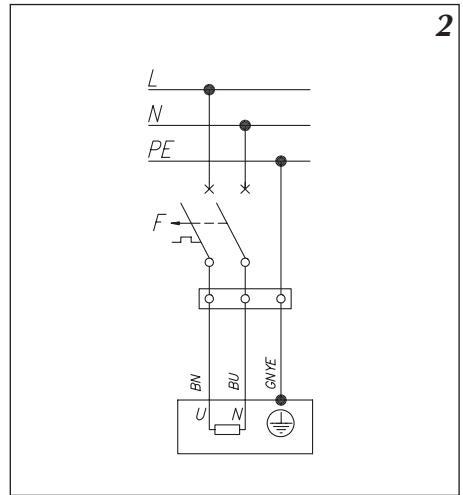


Fig.2 Electric connection

- F - dipolar circuit breaker
- L - live wire
- N - neutral wire
- PE - earth wire
- BN - brown
- BU - blue
- GNYE - green-yellow

ATTENTION!

Electric installation should be equipped with safety (power-differential) circuit breaker and other devices which will ensure disconnecting the heater from the source of power (intervals between all their poles should not be less than 3mm).

Recommendation

- connect the appliance to cold water supplies only.

Installation

1. Fix the tap set [6] on a water supply pipe [8].
2. Connect the heater to the tap body [8] with nuts [10] accompanied by gasket [4] and the filter [5].
3. Allow water mains pressure gets to the tap.
4. Check for leaks by opening the tap. Do it without the spray-head [9] on, as some impurities, which come from the installation, may appear.
5. Vent the water installation.
6. Put the spray-head on.
7. Connect the heater to a power source (through the installation cable box according to Fig.2).

Venting

1. Shut off electric supplies.

2. Turn the flow on (turn the hot water tap on) in order to vent the installation until the flow of water becomes constant and even.
3. Shut off the flow.
4. Switch on the electric supplies.

ATTENTION!

Vent the appliance every time after a decay of water.

Operation

The heater is produced in 2 versions: with and without power changing knob (Fig.4 and Fig.3 respectively) which is placed on the front cover.

There are 2 possible positions that the knob can be situated. In “(“ position the appliance uses lower power than in a position “)”) – in that case the maximum power is used. The knob is easily turned in both directions.

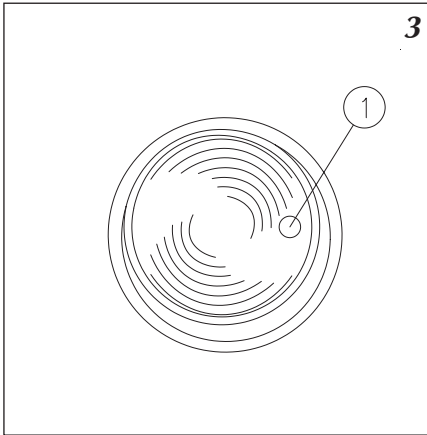


Fig.3 Operating indicator EPS-3,5; EPS-4,4

[1] – 'heat on' indicator (lamp)

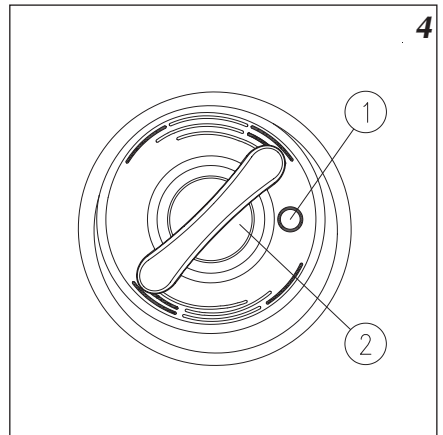


Fig.4 Operating indicator EPS-5,5

[1] – 'heat on' indicator (lamp)

[2] – power changing knob

ATTENTION!

In case of water shortage the tap should be shut immediately. The appliance should be vented as soon as a water supply is back (see 'Venting').

Maintenance

To ensure a long and faultless work of the appliance you should carry out a seasonal cleaning of the filter [5] in your individual capacity (this duty does not belong to a guarantee service).

To clean the heater do the following (Fig.5).

1. **Cut off water and electric supply.**
2. Disconnect the heater from the tap set (see 'Installation').
3. Take the filter out [5] from the fittings at cold water inlet [12].
4. Clean the filter.
5. Install the filter into the former position.
6. Fix the heater on the tap set.
7. Turn on the cold water tap on – check connections for leaks.
8. Vent the installation (see 'Venting').

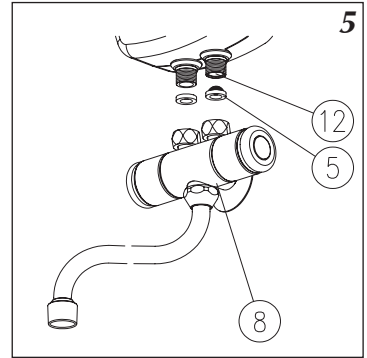


Fig.5 Filter cleaning

- [5] – filter
 [8] – tap set
 [12] – inlet – cold water

ATTENTION!

The filter should be cleaned after the repair of a water system, when a lot of effluent appears or after a year of operation.

Technical data

EPS water heater		3,5	4,4	5,5R
Rated power	kW	3,5	4,4	5,5/4,4
Rated voltage		230V~		
Rated current	A	15,2	19,1	23,9/19,1
Min. supply water pressure	MPa	0,12		
Operating point	l/min	1,1	1,7	2,0
Efficiency (at $\Delta t = 30^{\circ}\text{C}$)	l/min	1,7	2,1	2,6/2,1
Overall dimension (length without a tap x width x depth)	mm	211 x 140 x 70		
Weight (with a tap)	kg	~1,4		
Conductor to connect with electrical installation (1.2m long)		with assembly terminals		
Min. water resistivity at 15°C	Ωcm	1100		
Fuse rated current	A	16	20	25
Min. connecting wires section	mm ²	3 x 1,5	3 x 2,5	
The maximum allowed network impedance	Ω		0,34	0,31
Water supply pipe section			G1/2"	
Safety class			IP 25	

Faults

In case the appliance does not heat water, check for possible reasons:

- a failure of the mains supplies (e.g. fuses),
- insufficient flow through the heater (e.g. dirty filter, incorrect setting of the flow regulating valve).

The guarantee does not cover the above repairs.

If there is a fault in the appliance (the heater does not work and all the above reasons do not occur), contact the nearest authorised service.

Set contents

EPS water heater	1 piece
Tap set	1 piece
Gasket	2 pieces

ATTENTION!

This appliance is not intended for use by persons (including children) with reduced physical, sensory or mental capabilities or lack of experience and knowledge, unless they have been given supervision or instruction concerning use of the appliance by a person responsible for their safety.

Children should be supervised to ensure that they do not play with the appliance.

